



Interchangeable Core Bottom Pin (.108 Diameter) Product Data Sheet

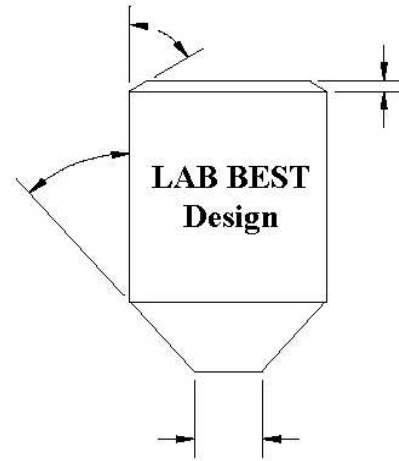


LAB BEST IC Bottom Pin Design:

- Available in sizes to meet A-2, A-3, A-4 system requirements
- **NICKEL SILVER MATERIAL**
- For use with all BEST Interchangeable Cores
- Increased Flat Nose design to give positive key function

Packaging:

Polybags only (standard pack 100, large pack 1000, jumbo pack 5000, and factory pack 50,000)

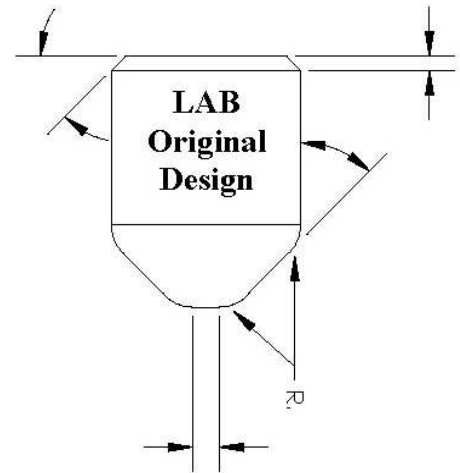


LAB Original IC Bottom Pin Design:

- Available in sizes to meet A-2, A-3, A-4 system requirements
- **NICKEL SILVER MATERIAL**
- For use with all IC using Nickel Silver Keys (EXCEPT BEST). For example Falcon, Schlage Small Format, Medeco KeyMark etc.
- Radius to flat transition to decrease key / pin wear

Packaging:

Polybags only (standard pack 100, large pack 1000, jumbo pack 5000, and factory pack 50,000)



LAB Universal IC Bottom Pin Design:

- Available in sizes to meet A-2, A-3, A-4 system requirements
- **BRASS MATERIAL (Full Hard)**
- A-2 Color Coded for easy use
- Radius nose design for decreased key insertion forces

Packaging:

Vials and Smart Pac only (qty. 100)

